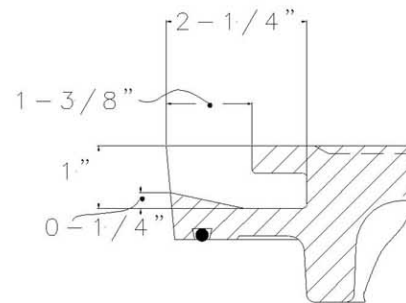


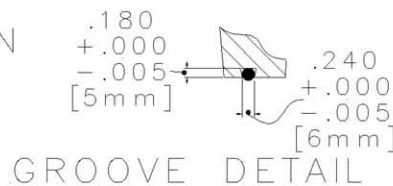
BOTTOM VIEW  
OF COVER



COVER SECTION



PICKHOLE DETAIL



GROOVE DETAIL

✓ MACHINED SURFACE

DRAWN TCL	DATE 04/18/02
APPROVED	DATE

**MANHOLE  
COVER**

PRODUCT NO.

**00104369**

CATALOG NO.

**1040AGS**

REF. PRODUCT DRAWING

104145

EST. WT.

COVER:  
150 LBS 68kg

OPEN AREA

N/A

MAT'L SPEC.

COVER-GRAY IRON  
ASTM A48 CL35

LOAD RATING

HEAVY DUTY