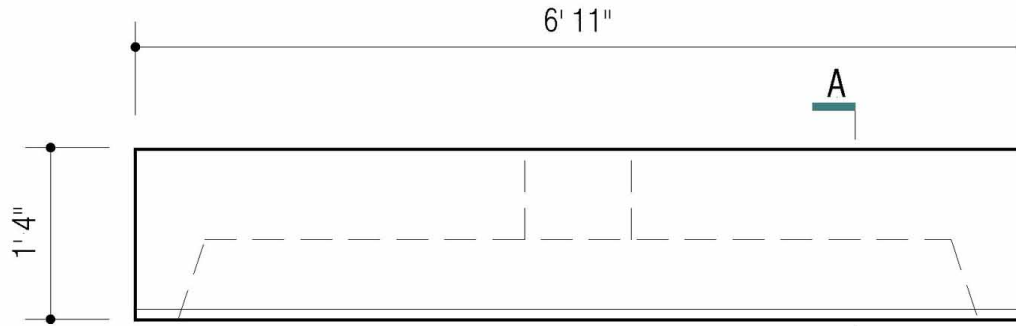
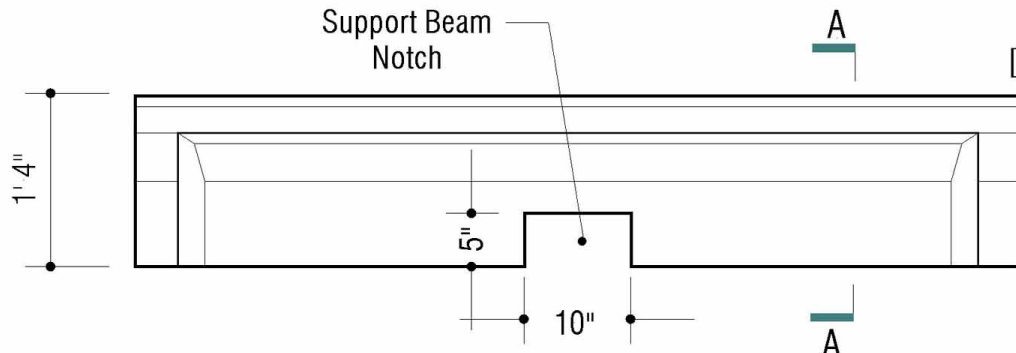


COMPLIES WITH:

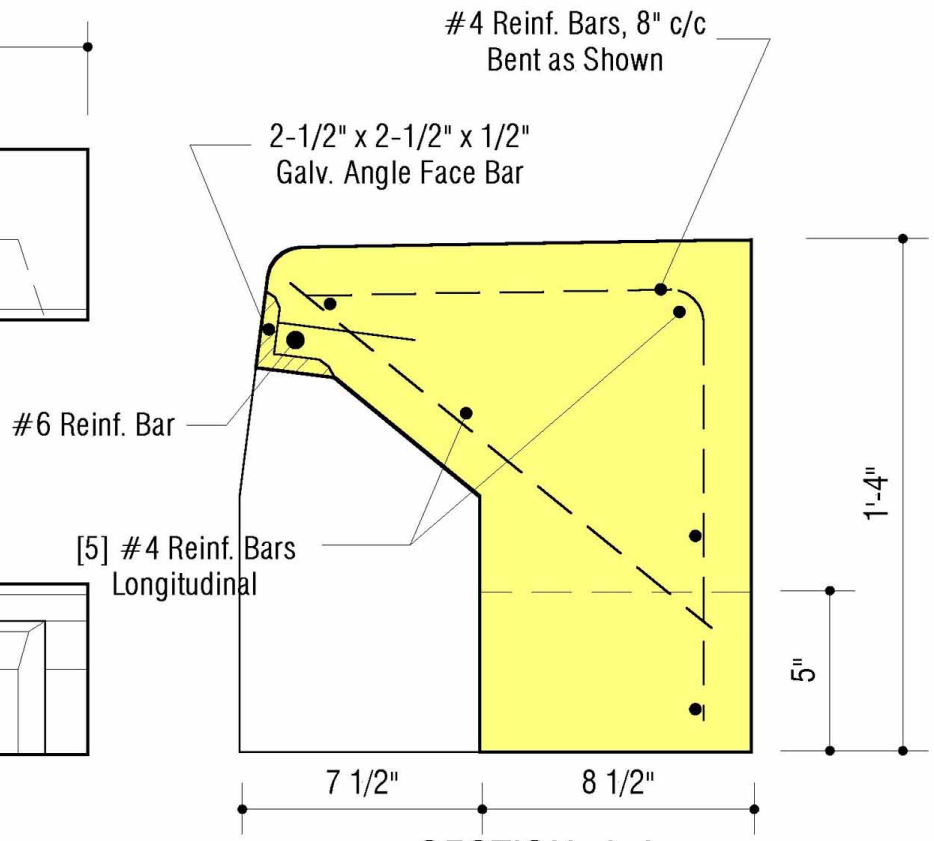
Anne Arundel Co. D-44
 Baltimore Co. D-2.32
 Howard Co. SD 4.35
 SHA MD-374.04



PLAN VIEW



FRONT ELEVATION



SECTION A-A



6264 Race Road
 Elkridge, Maryland 21075
 Tel. 410.796.1434
 Fax. 410.796.1438

www.mayerbrosprecast.com

TYPE "W/R" CURB HEADPIECE
[For Brick Inlet]
 Stock Item

Dwg.# W/R-STD

No Scale

Jan. 1, 2000

DESIGN DATA & GENERAL NOTES

- [1] Concrete strength $f'_c = 4,500$ p.s.i. @ 28 days. Density = 150 pcf.
- [2] Cement - Portland Type I/II per ASTM C 150-92.
- [3] Admixtures per ASTM C 260-86 & C 494-92.
- [4] Reinforcing per ASTM A615, Grade 60, domestic. Min 1-1/2" cover.
- [5] Light broom finish @ top of headpiece.
- [6] Face angle shall be galvanized prior to product fabrication.