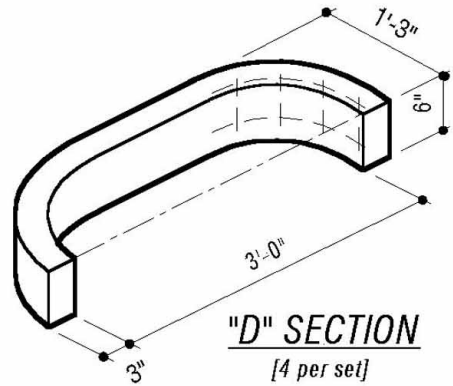
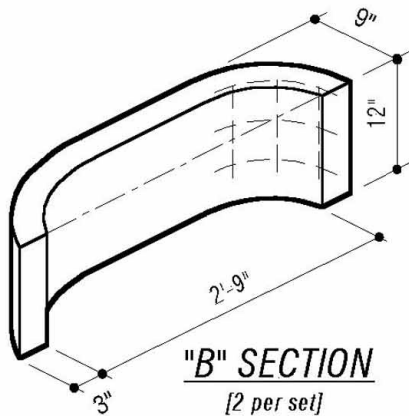


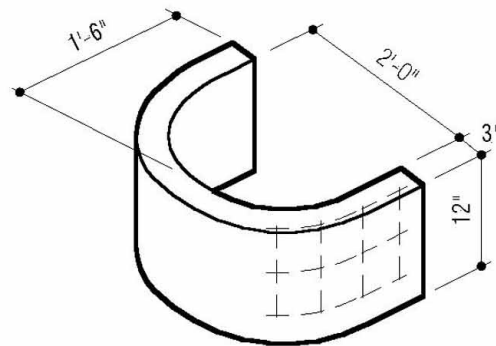
"E" SECTION
[1 per set]



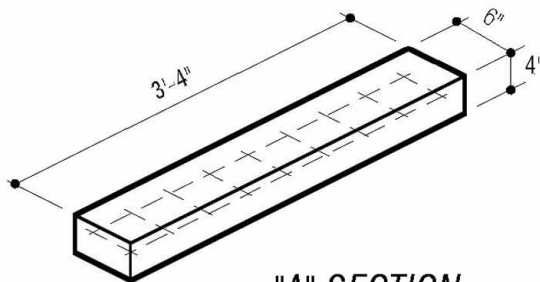
"D" SECTION
[4 per set]



"B" SECTION
[2 per set]



"C" SECTION
[4 per set]



"A" SECTION
[2 per set]

DESIGN DATA & GENERAL NOTES

- [1] Concrete strength $f_c = 4,000$ p.s.i. @ 28 days. Density = 150 pcf.
- [2] Cement - Portland Type I/II per ASTM C 150-92.
- [3] Admixtures & plasticizers per ASTM C 260-86 & C 494-92.
- [4] Reinforcing - A, B, C, D - 4x4, 6 Ga. wire mesh, ASTM C 185
E, F - #3 rebars @ 5" centers, ASTM A 615

COMPLIES WITH:

- Baltimore City [BC-890.02]
- Baltimore County [W-14]
- Carroll County [W-9C]
- Harford County [W-16]
- Howard County [W 3.63]

Mayer Brothers, Inc.

6264 Race Road
Elkridge, Maryland 21075
Tel. 410.796.1434
Fax. 410.796.1438

www.mayerbrosprecast.com



SECTIONAL VALVE VAULT - SMALL
Stock Item

Approx. Set Weight = 1,800 lbs.

Dwg. No. SVV-S

No Scale

August 2000