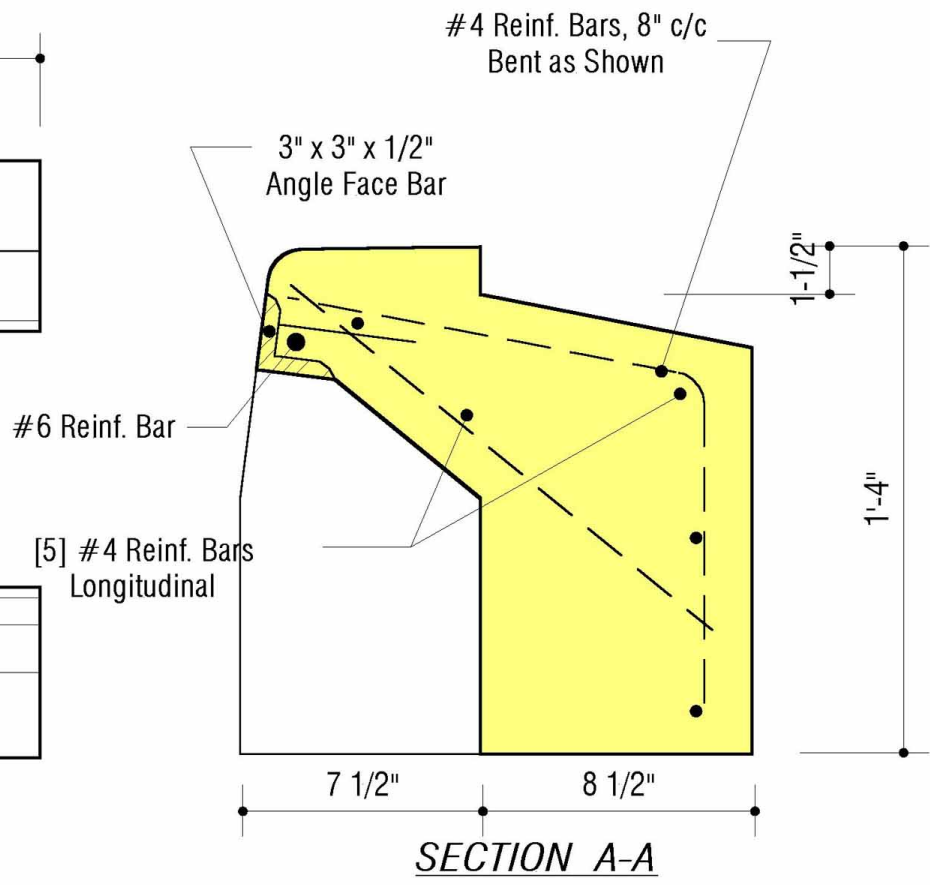
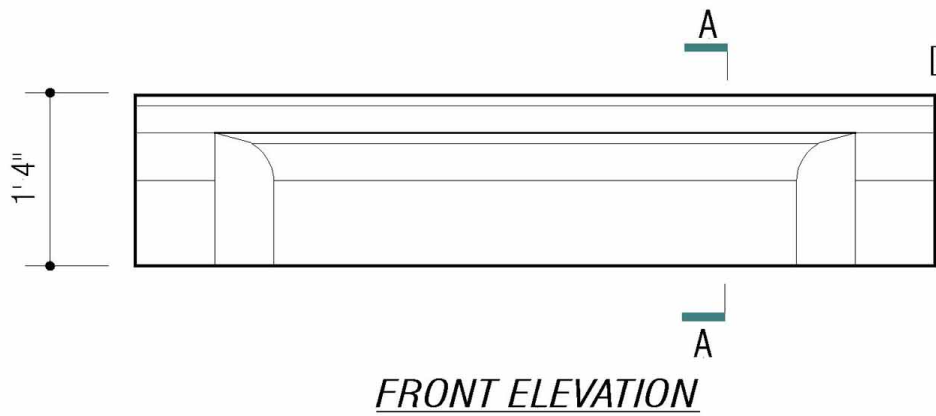
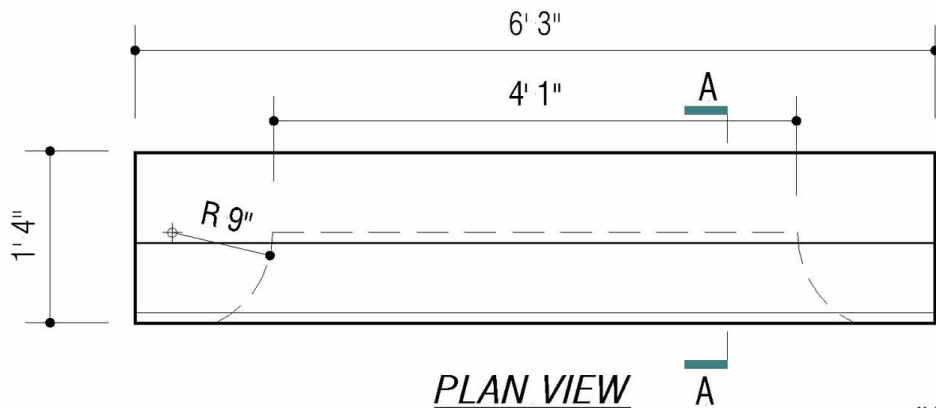


COMPLIES WITH:
Howard Co. SD 4.32



6264 Race Road
Elkridge, Maryland 21075
Tel. 410.796.1434
Fax. 410.796.1438
www.mayerbrosprecast.com

TYPE "S" CURB HEADPIECE
[For Brick Inlet]
Stock Item

Dwg. # S-STD No Scale Jan. 1, 2000

- DESIGN DATA & GENERAL NOTES**
- [1] Concrete strength $f'_c = 4,500$ p.s.i. @ 28 days. Density = 150 pcf.
 - [2] Cement - Portland Type I/II per ASTM C 150-92.
 - [3] Admixtures per ASTM C 260-86 & C 494-92.
 - [4] Reinforcing per ASTM A615, Grade 60, domestic. Min 1-1/2" cover.
 - [5] Light broom finish @ top of headpiece.
 - [6] Face angle to have one [1] shop coat & one [1] field coat of grey paint.