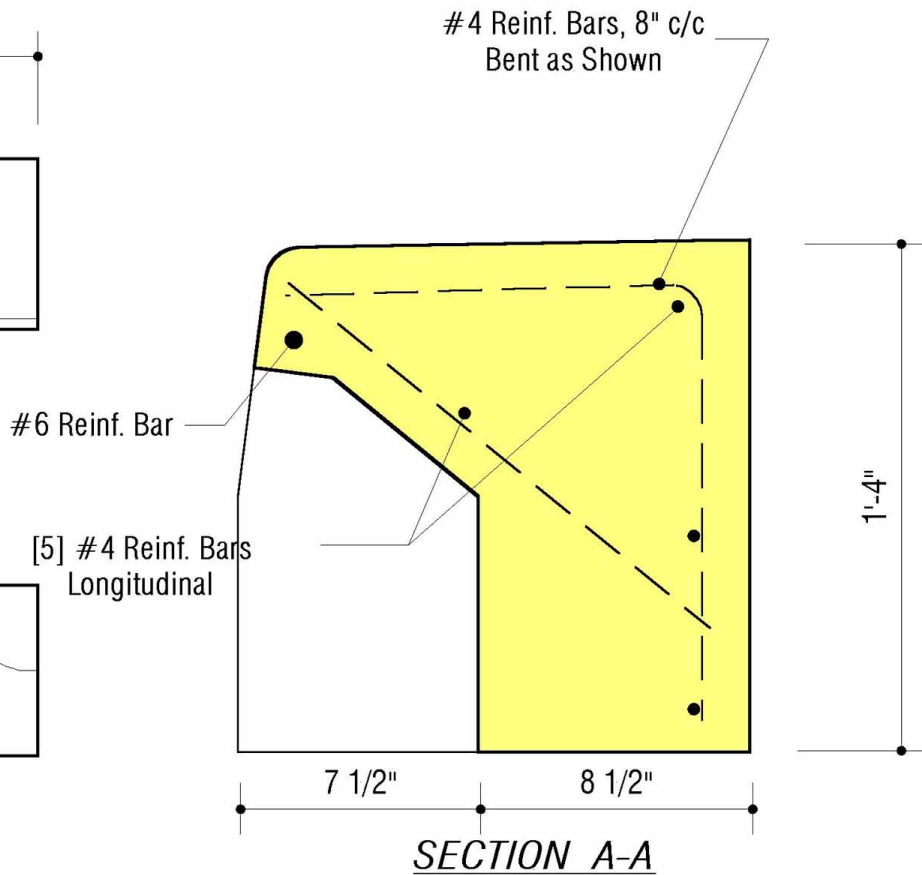
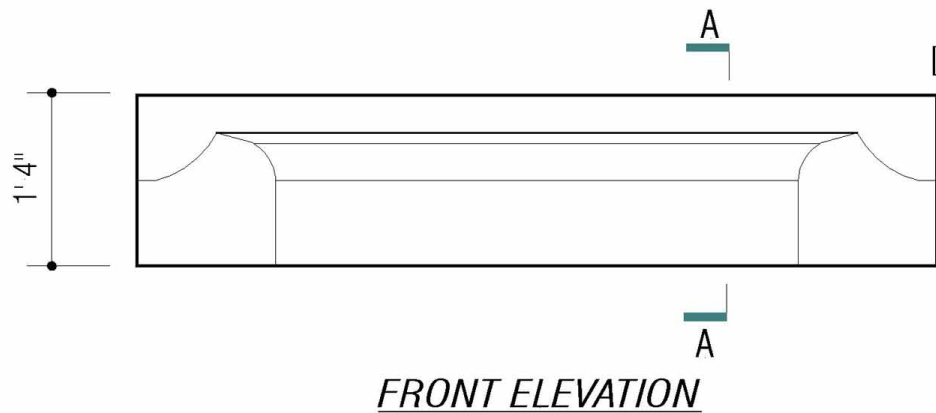
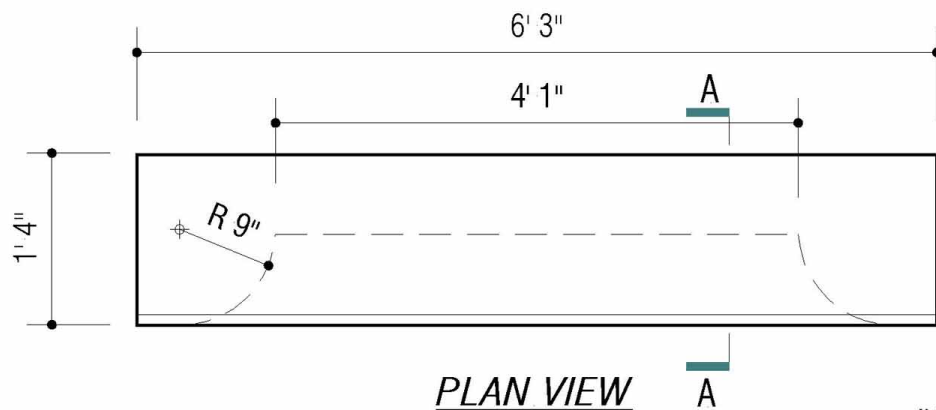


COMPLIES WITH:
SHA MD-376.24



MBI
Mayer Bros., Inc.

6264 Race Road
Elkridge, Maryland 21075
Tel. 410.796.1434
Fax. 410.796.1438

www.mayerbrosprecast.com

TYPE "E-COMB." CURB HEADPIECE
[For Brick Inlet]
Stock Item

Dwg.# E-Comb.

No Scale

Jan. 1, 2000

DESIGN DATA & GENERAL NOTES

- [1] Concrete strength $f'_c = 4,500$ p.s.i. @ 28 days. Density = 150 pcf.
- [2] Cement - Portland Type I/II per ASTM C 150-92.
- [3] Admixtures per ASTM C 260-86 & C 494-92.
- [4] Reinforcing per ASTM A615, Grade 60, domestic. Min 1-1/2" cover.
- [5] Light broom finish @ top of headpiece.