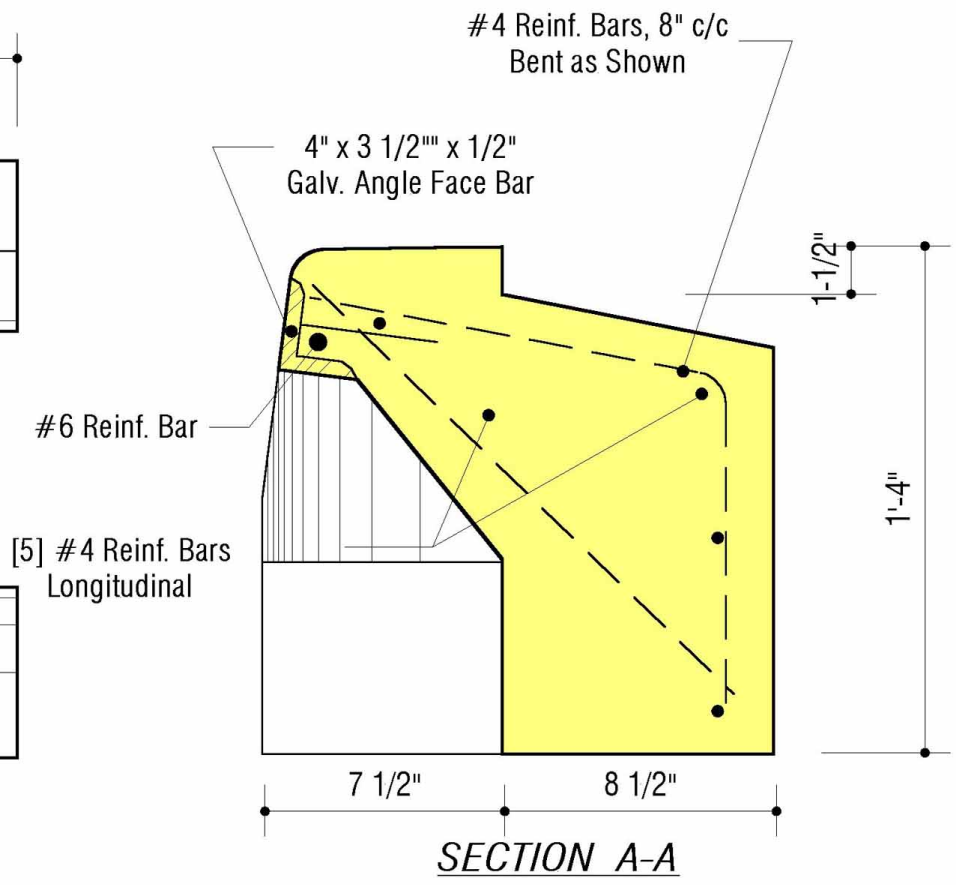
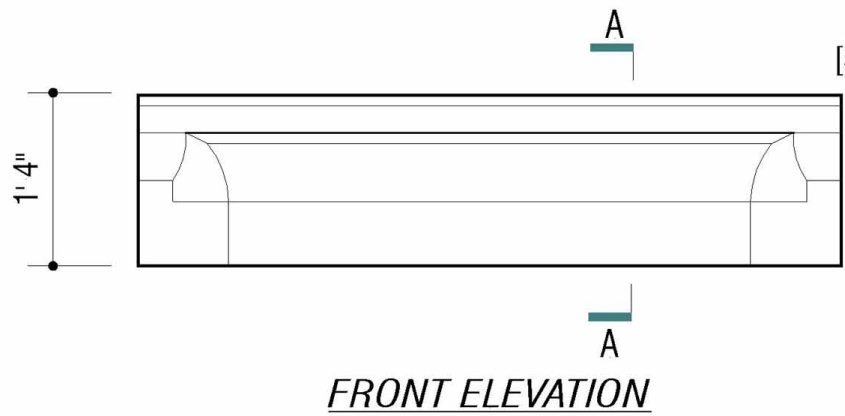
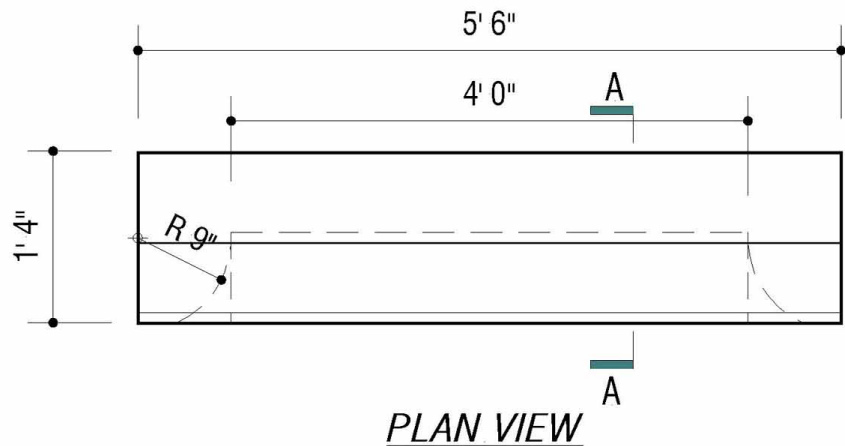


COMPLIES WITH:  
Baltimore City BC 376.22/23



6264 Race Road  
Elkridge, Maryland 21075  
Tel. 410.796.1434  
Fax. 410.796.1438  
[www.mayerbrosprecast.com](http://www.mayerbrosprecast.com)

**TYPE "E" CURB HEADPIECE**  
**[For Old-Style Brick Inlet]**  
**Stock Item**

Dwg.# E-City      No Scale      Jan. 1, 2000

- DESIGN DATA & GENERAL NOTES**
- [1] Concrete strength  $f'_c = 4,500$  p.s.i. @ 28 days. Density = 150 pcf.
  - [2] Cement - Portland Type I/II per ASTM C 150-92.
  - [3] Admixtures per ASTM C 260-86 & C 494-92.
  - [4] Reinforcing per ASTM A615, Grade 60, domestic. Min 1-1/2" cover.
  - [5] Light broom finish @ top of headpiece.
  - [6] Face angle shall be galvanized prior to product fabrication.