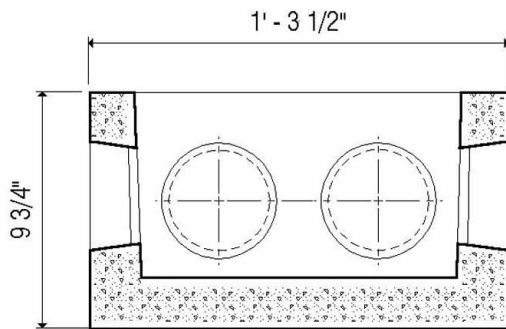
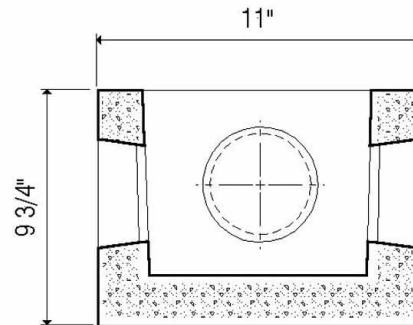


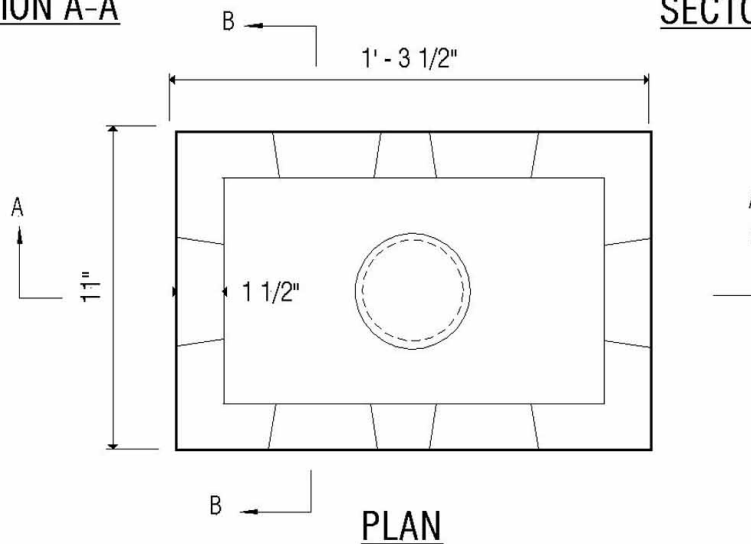
TOP SLAB



SECTION A-A



SECTION B-B



PLAN

DESIGN DATA & GENERAL NOTES

- [1] Concrete strength $f_c = 4,000$ p.s.i. @ 28 days. Density = 150 pcf.
- [2] Cement - Portland Type I/II per ASTM C 150-92.
- [3] Admixtures, air, & plasticizers per ASTM C 260-86 & C 494-92.



6264 Race Road
 Elkridge, Maryland 21075
 Tel. 410.796.1434
 Fax. 410.796.1438

www.mayerbrosprecast.com

"SMALL" DISTRIBUTION BOX
 Stock Item

Dwg. No. DBOX-SM

No Scale

August 2000

Mayer Bros., Inc.