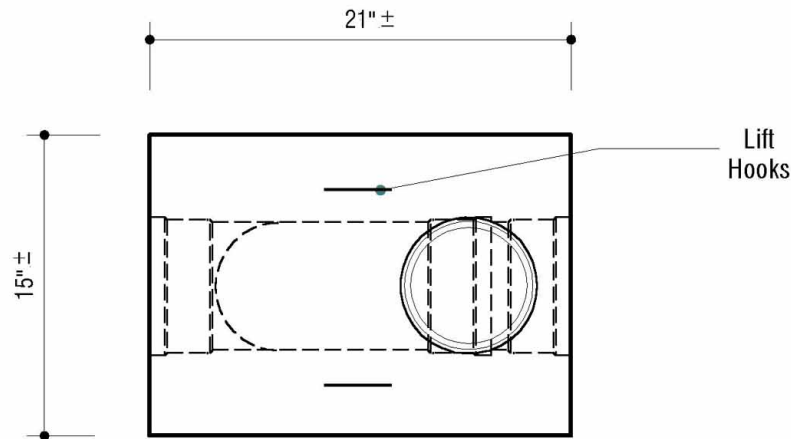
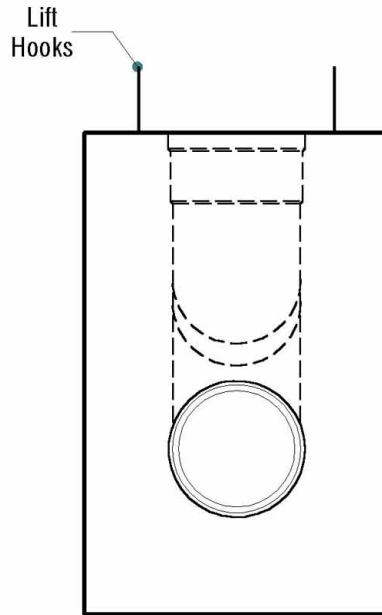


APPROVED FOR USE IN:

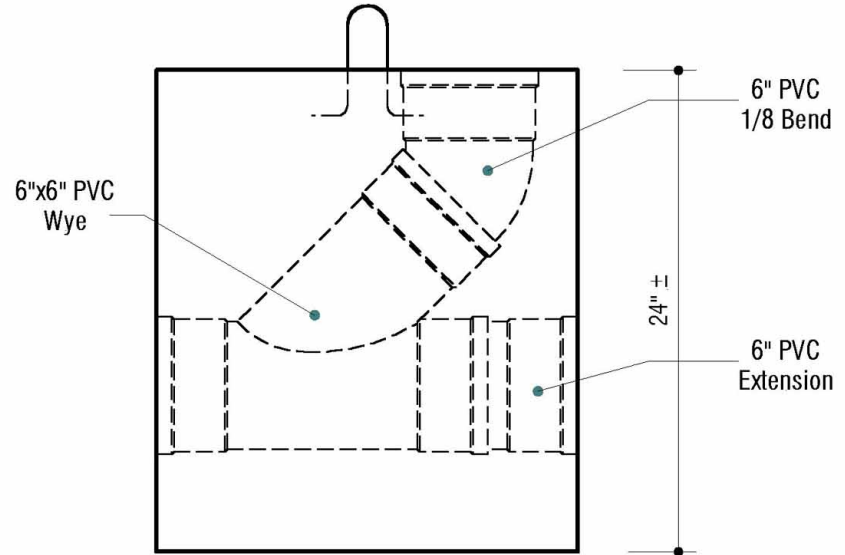
Anne Arundel Co.
Baltimore Co.
Carroll Co.
Frederick City
Frederick Co.
Howard Co.



PLAN VIEW



SIDE ELEVATION



FRONT ELEVATION



6264 Race Road
Elkridge, Maryland 21075
Tel. 410.796.1434
Fax. 410.796.1438

www.mayerbrosprecast.com

6x6 CLEANOUT BLOCK
[For SDR-35 Pipe]
Stock Item

Dwg. # C06X6

No Scale

Jan. 1, 2000

DESIGN DATA & GENERAL NOTES

- [1] Concrete strength $f_c = 4,000$ p.s.i. @ 28 days. Density = 150 pcf.
- [2] Cement - Portland Type I/II per ASTM C 150-92.
- [3] Admixtures per ASTM C 260-86 & C 494-92.
- [4] Steel form surface finish.
- [5] All fittings shall be SDR-35.