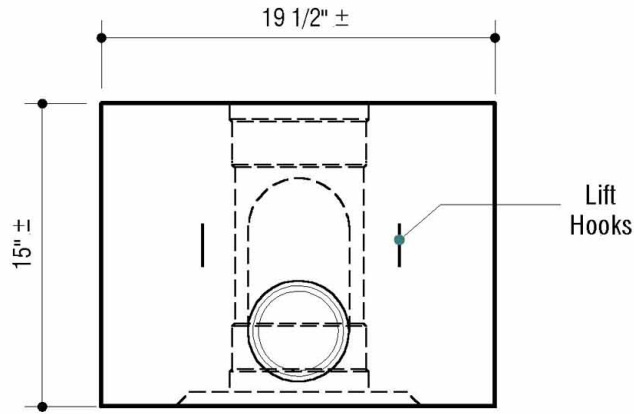
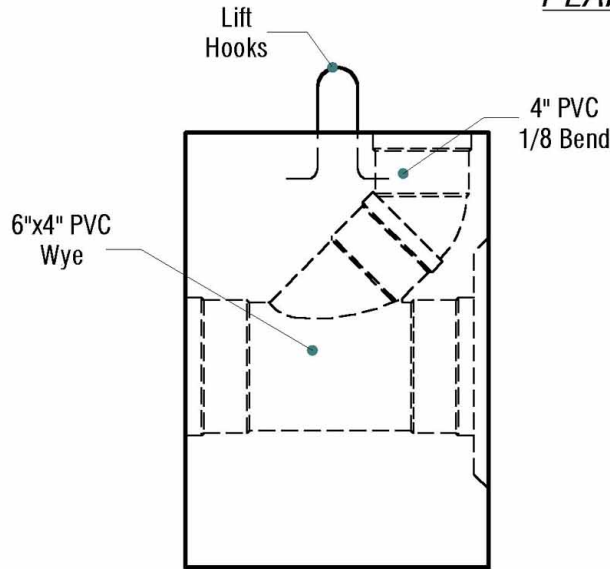


**APPROVED FOR USE IN:**

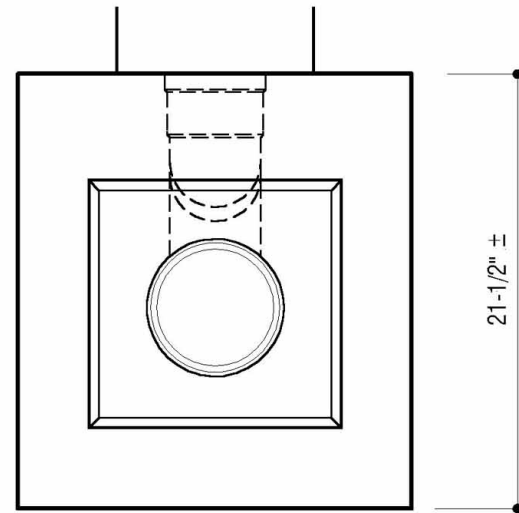
Anne Arundel Co.  
Baltimore Co.  
Carroll Co.  
Frederick City  
Frederick Co.  
Howard Co.



**PLAN VIEW**



**SIDE ELEVATION**



**FRONT ELEVATION**



6264 Race Road  
Elkridge, Maryland 21075  
Tel. 410.796.1434  
Fax. 410.796.1438

[www.mayerbrosprecast.com](http://www.mayerbrosprecast.com)

**6x4 CLEANOUT BLOCK**  
[For SDR-35 Pipe]  
Stock Item

Dwg. # C06X4

No Scale

Jan. 1, 2000

**DESIGN DATA & GENERAL NOTES**

- [1] Concrete strength  $f'_c = 4,000$  p.s.i. @ 28 days. Density = 150 pcf.
- [2] Cement - Portland Type I/II per ASTM C 150-92.
- [3] Admixtures per ASTM C 260-86 & C 494-92.
- [4] Steel form surface finish.
- [5] All fittings shall be SDR-35.